

Mast type	Maximum Fork Height	Maximum Lowered Height	Fully Extended Height	Free Lift	Rated Load Capacities							
					B35X-7							
					with Load Backrest	with Load Backrest	Tilt Angle				Load Capacities	
							Single Pneu.		Single Solid		Single Pneu	Single Solid
deg	deg	deg	deg	LC500mm	LC500mm							
	mm	mm	mm	mm	deg	deg	deg	deg	kg	kg		
STD	2,720	2,020	3,970	152	6	9	6	9	3,500	3,500		
	3,000	2,160	4,250	152	6	9	6	9	3,500	3,500		
	3,495	2,410	4,750	152	6	9	6	9	3,500	3,500		
	3,655	2,560	4,905	152	6	9	6	9	3,500	3,500		
	3,805	2,635	5,055	152	6	9	6	9	3,500	3,500		
	4,805	3,135	6,055	152	6	5	6	9	3,125	3,425		
FF	2,720	2,020	3,970	820	6	5	6	9	3,500	3,500		
	3,000	2,160	4,250	960	6	5	6	9	3,500	3,500		
	3,495	2,410	4,745	1,210	6	5	6	9	3,500	3,500		
FFT	3,555	1,885	4,805	685	6	9	6	9	3,400	3,400		
	3,960	2,020	5,210	820	6	9	6	9	3,400	3,400		
	4,380	2,160	5,630	960	6	9	6	9	3,300	3,400		
	4,820	2,330	6,070	1,130	6	5	6	9	3,175	3,400		
	5,205	2,510	6,455	1,310	6	5	6	9	2,575	3,300		
	5,655	2,660	6,905	1,460	6	5	6	5	2,000	3,200		

Note: These load capacities are based on the standard chassis without side shifter.
 Specification values quoted in this catalog have been rounded.
 Products and specifications are subject to improvement and change without notice.
 Performance may vary due to operating conditions.
 The performance shown represents nominal values obtained under typical operating conditions.

7-Series Forklifts

Electric 2.2 to 3.5 ton capacity



EUB25X7-160205v1EN (February 2016)



Doosan Industrial Vehicle Europe nv
 Europark-Noord 36A
 9100 Sint-Niklaas
 Belgium
 Tel.: +32 3 760 09 87
 Fax: +32 3 760 09 89
 Website: www.doosan-iv.eu

AUTHORIZED DEALER

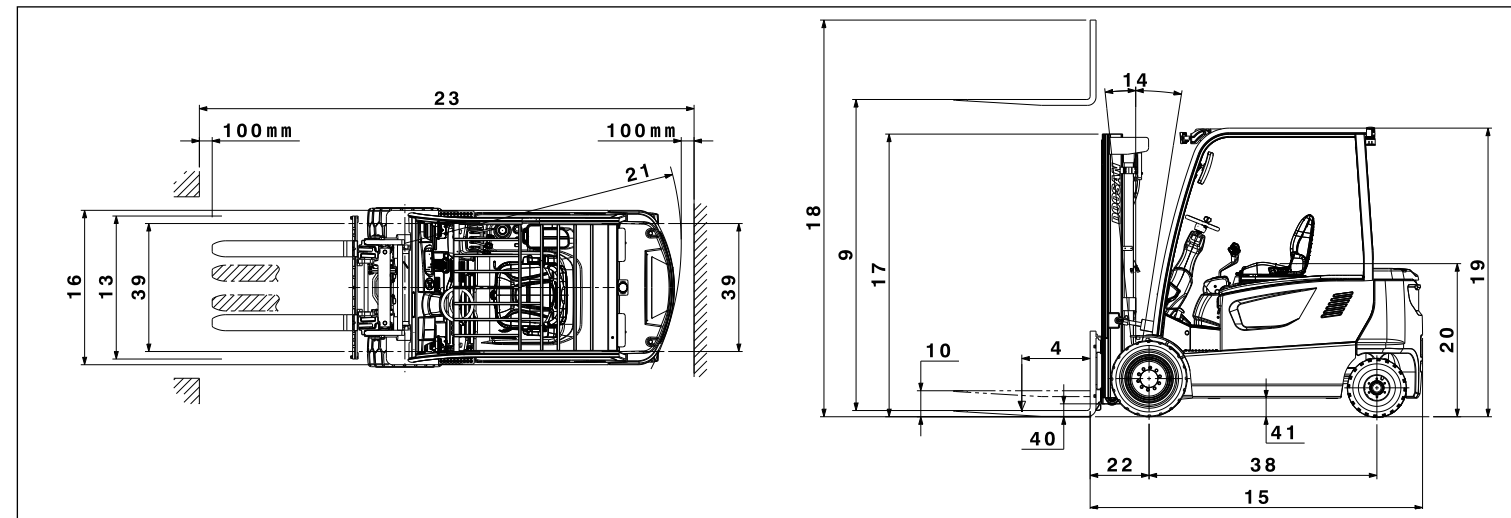
Lifting Your Dreams

GENERAL SPECIFICATIONS

CHARACTERISTICS	1	Manufacturer		Doosan	Doosan	Doosan	Doosan	Doosan		
	2	Model		B22X-7	B25X-7	B25XL-7	B30X-7	B35X-7		
	3	Capacity	at rated load center	kg	2,200	2,500	2,500	3,000	3,500	
	4	Load center	distance	mm	500	500	500	500	500	
	5	Power type			AC electric	AC electric	AC electric	AC electric	AC electric	
	6	Operator type			driver seated	driver seated	driver seated	driver seated	driver seated	
	7	Tire type	C=cushion, P=pneumatic, E=Solid		P, E	P, E	P, E	P, E	P, E	
	8	Wheels (x=driven)	number, front/rear		x 2/2	x 2/2	x 2/2	x 2/2	x 2/2	
	9	Maximum fork height	with STD 2-stage mast	mm	3,230	3,230	3,230	3,230	3,000	
DIMENSIONS	10	Free lift		mm	147	147	147	152	152	
	11	Fork carriage	ISO class		II	II	II	III	III	
	12	Forks	thickness x width x length	mm	40x100x1,050	40x100x1,050	40x100x1,050	45x125x1,050	45x125x1,050	
	13		fork spacing (min x max)	mm	272 x 1,035	272 x 1,035	272 x 1,035	286 x 1,044	286 x 1,044	
	14	Tilt of mast	forward / backward	deg	6/9	6/9	6/9	6/9	6/9	
	15	Overall dimensions	length to forkface	mm	2,329	2,329	2,474	2,480	2,564	
	16		overall width	mm	1,245	1,245	1,245	1,245	1,245	
	17		mast lowered height	mm	2,160	2,160	2,160	2,160	2,160	
	18		mast extended height	mm	3,990	3,990	3,990	3,990	3,760	
	19		overhead guard height (Cabin)	mm	2,185	2,185	2,210	2,210	2,210	
	20	seat height	mm	1,070	1,070	1,070	1,070	1,070		
	21	Outer turning radius		mm	1,950	1,950	2,095	2,095	2,155	
	21	Inner turning radius		mm	348	348	340	340	340	
	22	Load moment constant	center of drive axle to fork face	mm	448	448	448	454	454	
23	Right Angle Stacking Aisle Width (with pallets & clearance)	pallet 1,000x1,200 crossways	mm	3,620	3,620	3,766	3,772	3,832		
23		pallet 800x1,200 lengthways	mm	3,799	3,799	3,944	3,950	4,010		
PERFORMANCE	24	Speed	travel	loaded/unloaded	km/h	16/18	16/18	16/18	16/18	
	25		lift	loaded/unloaded	mm/s	500/600	480/600	480/600	420/600	380/600
	26		lowering	loaded/unloaded	mm/s	490/460	490/460	490/460	490/460	500/460
	28	Max. drawbar pull	at 1.6 km/h, loaded/unloaded	kg.f	1,768/1,675	1,768/1,675	1,768/1,675	1,768/1,675	1,768/1,675	
30	Gradeability	at 1.6 km/h, loaded/unloaded	%	27/40	25/38	25/38	22/34	20/31		
WEIGHT	32	Total weight	with min. weight of battery	kg	4,419	4,623	4,728	5,068	5,486	
	33	Axle load	loaded, front/rear	kg	5,807/810	6,275/848	6,312/935	7,253/837	7,996/1,013	
	34		unloaded, front/rear	kg	2,294/2,125	2,284/2,339	2,391/2,337	2,547/2,521	2,532/2,954	
CHASSIS	35	Tires	number of front/rear		2/2	2/2	2/2	2/2	2/2	
	36		size	front		23x10-12	23x10-12	23x10-12	23x10-12	23x10-12
	37			rear		18x7-8	18x7-8	18x7-8	18x7-8	18x7-8
	38	Wheel base	distance	mm	1,589	1,589	1,734	1,734	1,750	
	39	Tread width	front	mm	998	998	998	998	998	
	39		rear	mm	998	998	998	998	998	
	40	Ground clearance	loaded	at the lowest point	mm	130	130	130	130	
	41		at center of wheelbase	mm	140	140	140	140	140	
42	Brakes	service brake		hydraulic	hydraulic	hydraulic	hydraulic	hydraulic		
43		parking brake		auto-electric	auto-electric	auto-electric	auto-electric	auto-electric		
POWER TRAIN	45	Battery	type		DIN 43536 A	DIN 43536 A	DIN 43536 A	DIN 43536 A	DIN 43536 A	
			voltage	V	80	80	80	80	80	
			capacity (5 hours rating) - normal	AH	500	500	600	600	600	
			capacity (5 hours rating) - max.	AH	620	620	775	775	775	
			min. weight	kg	1,560	1,560	1,870	1,870	1,870	
	46	Battery compartment	at chassis sizes (W x L x H)	mm	1,040 x 720 x 805		1,040 x 865 x 805			
	47	Electric motors	drive motor rating at S2 60 minutes	kW	10.0 x 2	10.0 x 2	10.0 x 2	10.0 x 2	10.0 x 2	
	48		lifting motor rating at S3 15%	kW	21	21	21	21	21	
54	Control type	drive and hydraulic	type		MOSFET inverter					
55	Drive axle	brake type	type		ODB					
57	Relief pressure	system	bar	183	193	193	207	235		
		attachment	bar	155	155	155	155	155		

Note : Specification values quoted in this specification sheet have been rounded. Performance may vary due to operation conditions. Products and specifications are subject to improvement and change without prior notices.

DIMENSIONAL DRAWING



MAST SPECIFICATIONS and RATED CAPACITIES

B22X-7, B25X-7, B25XL-7

Mast type	Maximum Fork Height	Maximum Lowered Height	Fully Extended Height	Free Lift	Rated Load Capacities							
					B22X-5, B25X-7, B25XL-7				B22X-7		B25X-5, B25XL-7	
					Tilt Angle				Load Capacities		Load Capacities	
			with Load Backrest	With Load Backrest	Single Pneu.		Single Solid		Single Pneu.	Single Solid	Single Pneu.	Single Solid
	mm	mm	mm	mm	FWD	BWD	FWD	BWD	LC500mm	LC500mm	LC500mm	LC500mm
					deg	deg	deg	deg	kg	kg	kg	kg
STD	2,950	2,020	4,200	147	6	9	6	9	2,200	2,200	2,500	2,500
	3,230	2,160	4,480	147	6	9	6	9	2,200	2,200	2,500	2,500
	3,500	2,410	4,755	147	6	9	6	9	2,200	2,200	2,500	2,500
	3,800	2,560	5,055	147	6	9	6	9	2,200	2,200	2,500	2,500
	3,950	2,635	5,205	147	6	9	6	9	2,200	2,200	2,500	2,500
	4,350	2,835	5,605	147	6	9	6	9	2,200	2,200	2,500	2,500
FF	2,950	2,020	4,200	815	6	9	6	9	2,200	2,200	2,500	2,500
	3,230	2,160	4,480	955	6	9	6	9	2,200	2,200	2,500	2,500
	3,600	2,410	4,855	1,205	6	9	6	9	2,200	2,200	2,500	2,500
FFT	3,900	1,885	5,155	680	6	9	6	9	2,200	2,200	2,500	2,500
	4,290	2,020	5,560	815	6	9	6	9	2,200	2,200	2,500	2,500
	4,730	2,160	5,980	955	6	9	6	9	2,150	2,175	2,475	2,500
	4,805	2,165	6,055	980	6	9	6	9	2,150	2,175	2,450	2,475
	5,560	2,510	6,805	1,305	6	5	6	9	2,000	2,025	2,275	2,325
	6,010	2,660	7,255	1,455	6	5	6	9	1,875	1,950	1,700	2,250

B30X-7

Mast type	Maximum Fork Height	Maximum Lowered Height	Fully Extended Height	Free Lift	Rated Load Capacities							
					B30X-7							
					Tilt Angle				Load Capacities			
			with Load Backrest	with Load Backrest	Single Pneu.		Single Solid		Single Pneu.	Single Solid		
	mm	mm	mm	mm	FWD	BWD	FWD	BWD	LC500mm	LC500mm		
					deg	deg	deg	deg	kg	kg		
STD	2,950	2,020	4,200	152	6	9	6	9	3,000	3,000		
	3,230	2,160	4,480	152	6	9	6	9	3,000	3,000		
	3,500	2,410	4,755	152	6	9	6	9	3,000	3,000		
	3,800	2,560	5,055	152	6	9	6	9	3,000	3,000		
	3,950	2,635	5,205	152	6	9	6	9	3,000	3,000		
	4,350	2,835	5,605	152	6	9	6	9	2,950	2,975		
FF	2,950	2,020	4,200	820	6	9	6	9	3,000	3,000		
	3,230	2,160	4,480	960	6	9	6	9	3,000	3,000		
	3,600	2,410	4,855	1,210	6	9	6	9	3,000	3,000		
FFT	3,900	1,885	5,155	685	6	9	6	9	2,900	2,900		
	4,290	2,020	5,560	820	6	9	6	9	2,900	2,900		
	4,730	2,160	5,980	960	6	9	6	9	2,850	2,875		
	4,805	2,165	6,055	985	6	9	6	9	2,850	2,875		
	5,560	2,510	6,805	1,310	6	5	6	9	2,300	2,700		
	6,010	2,660	7,255	1,460	6	5	6	9	1,775	2,600		