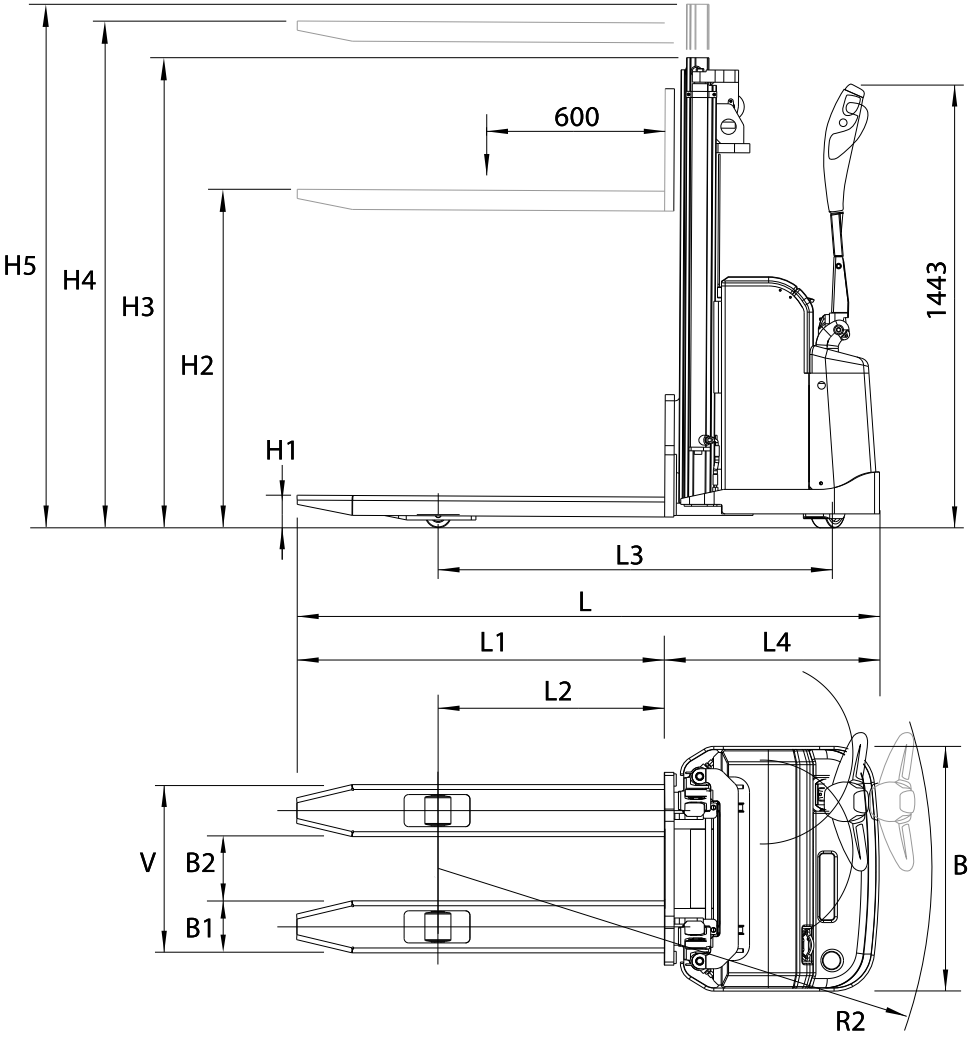


PEDESTRIAN STACKER



PS

The compact pedestrian stacker for flexible use in tight spaces. Robust, powerful and handy. Offset tiller arm with all controls in the tiller head for easy handling.



| Mast type | Standard lift height H4 | Min mast height H3 | Max mast height H5 |
|-------------------|-------------------------|--------------------|--------------------|
| Telescopic | 2690 | 1840 | 3145 |
| | 2990 | 1990 | 3400 |
| | 3290 | 2145 | 3705 |
| | 3590 | 2295 | 4005 |
| Double telescopic | | | |

| | 0 | Specification | | | PS |
|------------------------------|---|--|------------|-------------------|-------------------|
| Lift capacities | 0a | Straddle leg position | | | |
| | 1 | Lift capacity | Q | kg | 1250 |
| | 1a | Load centre | D | mm | 600 |
| | 2 | Lift height | H4 | mm | See table |
| | 2a | Mast height | H3/H5 | mm | See table |
| | 2b | Transport free lift | H2 T mast | mm | |
| | 2c | Full free lift | H2 DT mast | mm | |
| | 2d | Straddle lift | | mm | |
| | 3 | Mast tilt. Forward - backward | | | |
| | 3a | Tilting forks. Forward - backward | | | |
| Drive capacities | 4 | Lift speed. Without load - with normal load | | m/s | 0,16 - 0,11 |
| | 4a | Lift time. Without load - with normal load | | s | |
| | 4b | Lift speed, ergolift. Without load - with normal load | | m/s | |
| | 5 | Lowering speed. Without load - with normal load | | m/s | 0,18 - 0,25 |
| | 5a | Lowering time. Without load - with normal load | | s | |
| | 6 | Drive speed. Without load - with normal load | | km/h | 6 - 5 |
| | | Drive speed. Without load - with normal load | | m/s | 1,7 - 1,4 |
| | 6a | Acceleration 0-10 km/h | | | |
| | | Without load - with normal load | | s | |
| | 8 | Gradient, without load / with normal load | max | % | 10 / 8 |
| 10 | Turning radius | R2 | mm | 1597 | |
| Truck measurements | 11 | Smallest practical stacking aisle incl 200 mm play | | | |
| | | Load length 1200 mm | Ast | mm | 2262 |
| | | Load length 1000 mm | Ast | mm | |
| | | Load length 800 mm | Ast | mm | |
| | | Aisle width requirement according to BITA GN9 UK market only | A1 | mm | |
| | | | A2 | mm | |
| | | | A3 | mm | |
| | | Smallest practical stacking aisle with pallet LL 1200 with the platform folded up/without platform | Min | mm | |
| | 11a | Intersecting aisle width. Load length 1200 mm | Min | mm | |
| | 11c | Max load length | LL | mm | |
| 11d | Max load width | LB | mm | | |
| Weights | 13 | Height of overhead guard | H6 | mm | |
| | 13a | Height of driver seat | H7 | mm | |
| | 13b | Step-in height | Y1 | mm | |
| | 13c | Floor height | | mm | |
| | 13d | Width of open gate | | mm | |
| | 14 | Truck length | L | mm | 1898 |
| | 15 | Truck width | B | mm | 800 |
| | 15a | Width over guide wheels | A | mm | |
| | 15b | Width over stabilisers | S | mm | |
| | 15c | Platform length | | mm | |
| 15d | Platform width | B3 | mm | | |
| 15e | Height of platform gates | | mm | | |
| Motors | 16 | Fork length | L1 | mm | 1200 / 1000 |
| | 17 | Width over forks | V max/min | mm | 550 |
| | 17a | Width between forks | | mm | 210 |
| | 18 | Reach length | U | mm | |
| | 19 | Distance from back plate to retracted fork heel | L4 T-mast | mm | 698 |
| | | Distance from back plate to retracted fork heel | L4 DT-mast | mm | |
| | 20 | Fork arm, width - thickness | B1 | mm | 170 - 65 |
| | 20a | Fork height, min | H1 | mm | 90 |
| | 21 | Straddle height | H8 | mm | |
| | 22 | Width between straddles | B2 | mm | |
| 22a | Width over straddles | | mm | | |
| 23 | Distance between front axle and retracted fork heel | L2 | mm | 750 | |
| 23a | Distance between front axle and centre of attachment | L2 | mm | | |
| 23b | Distance between front axle and heel of extended fork | X1 | mm | | |
| 24 | Axle distance | L3 | mm | 1270 | |
| 25 | Wheel track, front rear (centre lines wheels) | | mm | | |
| 26 | Ground clearance at half axle distance | | mm | 28 | |
| Steering/brake system | 27 | Total weight with-without battery. | | kg | 930 - 690 |
| | 28 | Max axle pressure, fork side, without/ with classified load | | kg | 280 / 1280 |
| | 29 | Max axle pressure, drive side, without/with classified load | | kg | 650 / 900 |
| | 30 | Max wheel point loading, without/with normal load | | MPa | |
| Motors | 39 | Battery capacity | | kWh/Ah | 3,8-5,5 / 160-230 |
| | 39a | Battery voltage | | V | 24 |
| | 41 | Drive motor | | kW | 1,0 |
| | 42 | Speed regulation | | | ATC T4 |
| | 43 | Lift motor. Output/Interm. conn.time | | kW-%/min | 2,2 |
| Steering/brake system | 43a | Hydraulic pressure | | MPa | |
| | 44 | Wheel type, drive wheel/others | | | Vulcollan |
| | 44a | Number of wheels, drive/castor - load wheels | | | 2 - 2 |
| | 45 | Wheel dimensions | | | 17,5 |
| | 45a | Load wheels - diameter x width | | mm | (2) x85x95 |
| | 45b | Drive wheel - diameter x width | | mm | (1) x230x70 |
| | 45c | Castor wheels - diameter x width | | mm | (1) x140x60 |
| | 46 | Steering | | | Tiller arm |
| 47 | Service brake - Type-acting on | | | El. - drive motor | |
| 48 | Parking brake - Type-acting on. | | | El. - drive motor | |

2007-10-30

* Varies according to battery size

All rights reserved to change above specification