



INDUSTRIAL SWEEPERS

1100  
FUTURA

Spaggiari T63



 **DULEVO**®  
INTERNATIONAL





*Easy access to mechanical components*



*The patented filter system*



*The side broom*

*Maximum driver comfort*



## 1. The direct-throw sweeping system. The most efficient.

Sweeps any type of debris, from the finest dust to the larger heavier debris you find around the workplace.

The waste hopper, which is placed immediately in front of the main broom ensures perfect sweeping results even when the broom is nearing the end of its useful life.

Adjustment of the main broom pressure is made from the driving position and not only optimises the sweeping results on uneven surfaces but helps to extend brush life.



## 2. The patented filter system, made from rot-proof polyester

Designed to filter even the finest dust (down to 3 micron), ensures that this is the ideal machine for those industrial environments with a high concentration of fine particles. The completely new patented filter design considerably increases the available filter surface.

Easy to dismantle and clean, the filter rarely requires changing and ensures that this filter system saves both time and money.



## 3. An effective filter shaking system

Shaking the filter elements with considerable vigour in various directions ensures that all the dust is separated from the filter fabric, and then falls into the waste hopper. This system allows long operating periods between dismantling and manual cleaning of the elements.



## 4. Automatic lifting, shock resistant side broom(s)

The hydraulically powered side broom[s] are resistant to impact and protected by a heavy steel bumper.

A patented system automatically raises the broom when not in use, preventing possible deformation of the bristles and uneven wear.



## 5. High capacity vacuum fan

Positioned within the engine compartment the hydraulically powered fan (electric in model EH) can be shut off when the machine has to work in wet conditions.

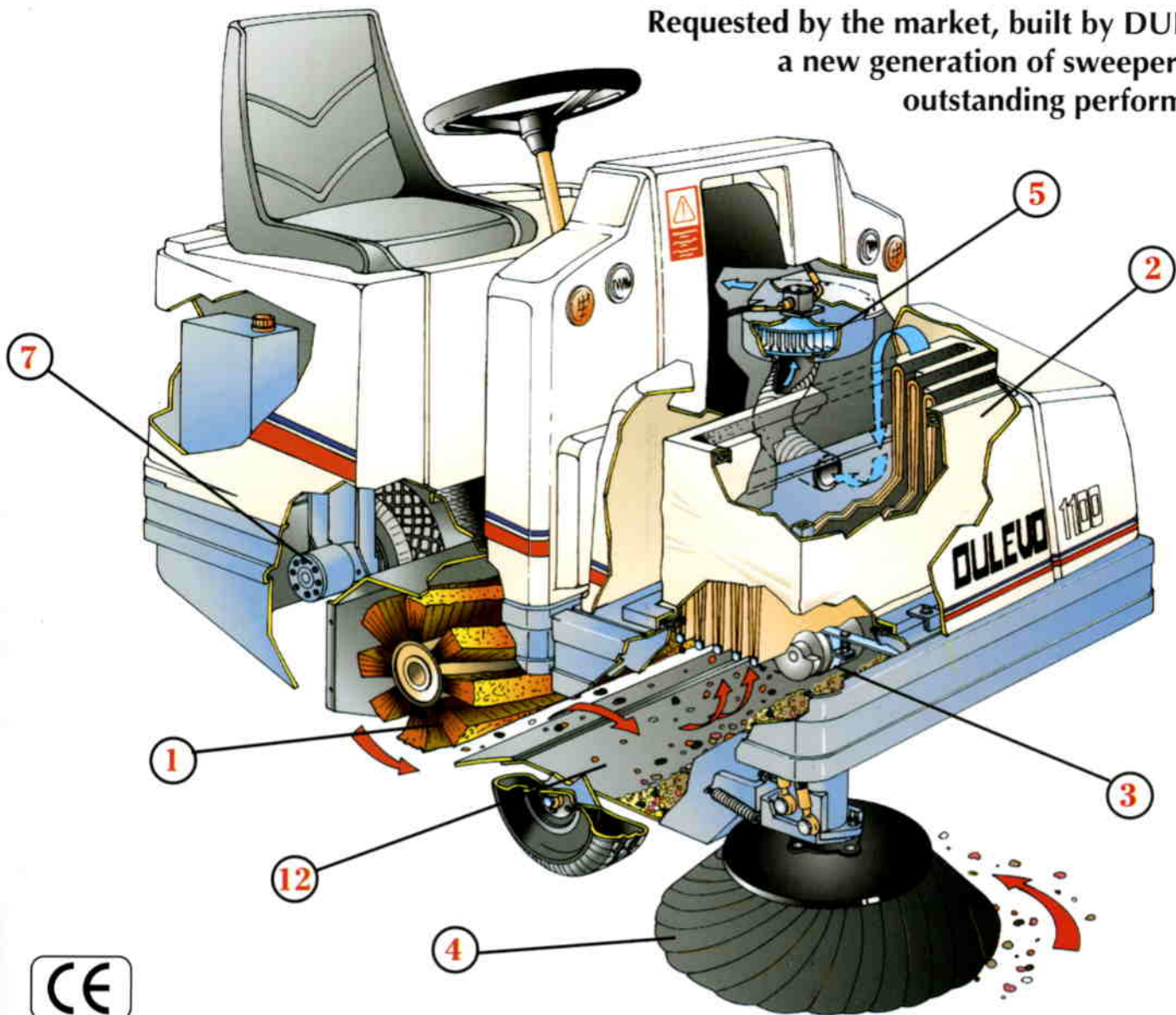


## 6. Operator comfort

The 1100 FUTURA is designed to ensure maximum levels of comfort, operation and ease of control.

# 1100 FUTURA: Power, Style & Quality

Requested by the market, built by DULEVO,  
a new generation of sweepers with  
outstanding performance.



TECHNICAL DATA		1100 EH	1100 DL	1100 SV	DIMENSIONS
SWEEP WIDTHS					
MAIN BROOM ONLY	mm	750	750	750	
WITH ONE SIDE BROOM ONLY	mm	1140	1140	1140	
WITH TWO SIDE BROOMS	mm	1440	1440	1440	
DIAMETER OF SIDE BROOMS	mm	600	600	600	
DIAMETER OF MAIN BROOM	mm	290	290	290	
WASTE HOPPER CAPACITY	liter	140	140	140	
MAXIMUM DUMPING HEIGHT	mm	1340	1340	1340	
FILTER AREA	sq.m	6	6	6	
MAXIMUM SPEED	Km/h	7	7	7	
WEIGHT, UNLADEN (with driver, 70 kg)	kg	1065	690	640	
MOTOR: MANUFACTURER	BEST MOTOR		LOMBARDINI	BRIGGS & STRATTON	
MODEL	-		502	VANGUARD	
NUMBER OF CYLINDERS	-		2	1	
FUEL	BATTERY		DIESEL	PETROLUL.P.G.	
MAXIMUM POWER	2.5 kW (3.4 HP)		9.8 kW (13.4 HP) at 3600 rpm	6.8 kW (9.2 HP) at 3600 rpm	
RATED POWER IN WORKING CONDITIONS	-		7.8 kW (10.6 HP) at 2550 rpm	6.2 kW at 2800 rpm	
SERVICE BRAKE	MECHANICAL		MECHANICAL	MECHANICAL	
PARKING BRAKE	MECHANICAL		MECHANICAL	MECHANICAL	
FRONT TYRES	PNEUMATIC 4.004-4		PNEUMATIC 4.004-4	PNEUMATIC 4.004-4	
REAR TYRE	CUSHION 310/100-170L		PNEUMATIC 4.004-4	PNEUMATIC 4.004-4	



## 7. Direct Transmission

Consisting of a variable delivery pump connected to a heavy duty hydraulic motor that is connected directly to the rear wheel. The system offers all the advantages of a heavy duty transmission system but without weak points such as chains, joints and couplings.



*Direct drive to rear wheel*



## 8. Environmentally Friendly

Dulevo's filter system is designed to prevent dust (down to 3 micron) from escaping into the atmosphere. To meet environmental requirements the machine is available in various versions - battery powered, L.P.G. and petrol or diesel fitted with catalytic exhausts.



## 9. Quiet Operation

The low noise levels that comply with ISO standards have been successfully obtained by optimising the dynamic response of the mechanical parts. Proven sound deadening materials have been selected and particular care has been taken to eliminate vibration.



*Main broom removable without the use of tools*



## 10. Safety as a design philosophy

Designed to meet the highest safety standards, the 1100 FUTURA also complies with CEE 89/392 requirements.



## 11. Ease of maintenance

To minimize maintenance, the machine has no belts and has been designed to give total access to the engine and surrounding components. The main broom can also be changed without the use of tools.



*Emptying the waste hopper*



## 12. Large capacity high dump hopper

The waste hopper has an effective capacity of 140 litres. The hopper door is closed hydraulically to compact debris prior to emptying. The hopper itself can be raised from ground level up to a maximum height of 1.34 metres, which enables the machine to dump into most of the waste skips currently in use.

*Extremely manoeuvrable*



## 13. Chassis Rigidity

The chassis is manufactured from high quality electro welded steel for maximum strength. The finished unit is fully coated with a special primer and finished with a high resistant polyurethane paint.



## 14. Manoeuvrability

The 1100 FUTURA is highly manoeuvrable with an outside turning circle of approx. 2.2m.



# 1100 FUTURA

## Revolutionary and ultra compact

The Dulevo 1100 FUTURA gives outstanding results in industrial, commercial and street sweeping. Thanks to its ultra compact design and hydraulic systems, the 1100 FUTURA is extremely manoeuvrable and simple to operate, whilst its modern and attractive styling makes it stand out from the crowd.

The all hydraulic system with its total absence of drive belts keeps maintenance costs to a minimum. The direct throw sweeping system, the operating principle applied to the complete Dulevo sweeper range, is at the heart of the 1100 FUTURA. Collection starts with the side broom(s) which transfer dust



and debris into the centre of the machine where a large diameter cylindrical main broom throws everything forward into the waste hopper. Fine dust is also drawn directly into the hopper by a powerful vacuum which is created by a high efficiency fan, a special heavy duty polyester filter ensuring that only clean air is exhausted back into the environment. With a choice of battery, petrol, L.P.G. or diesel power units there is a version of the 1100 FUTURA suitable for every type of application. An extensive range of options and accessories is available which ensures the versatility of this outstanding machine.